

## TEACH PENDANT

# HTG Series



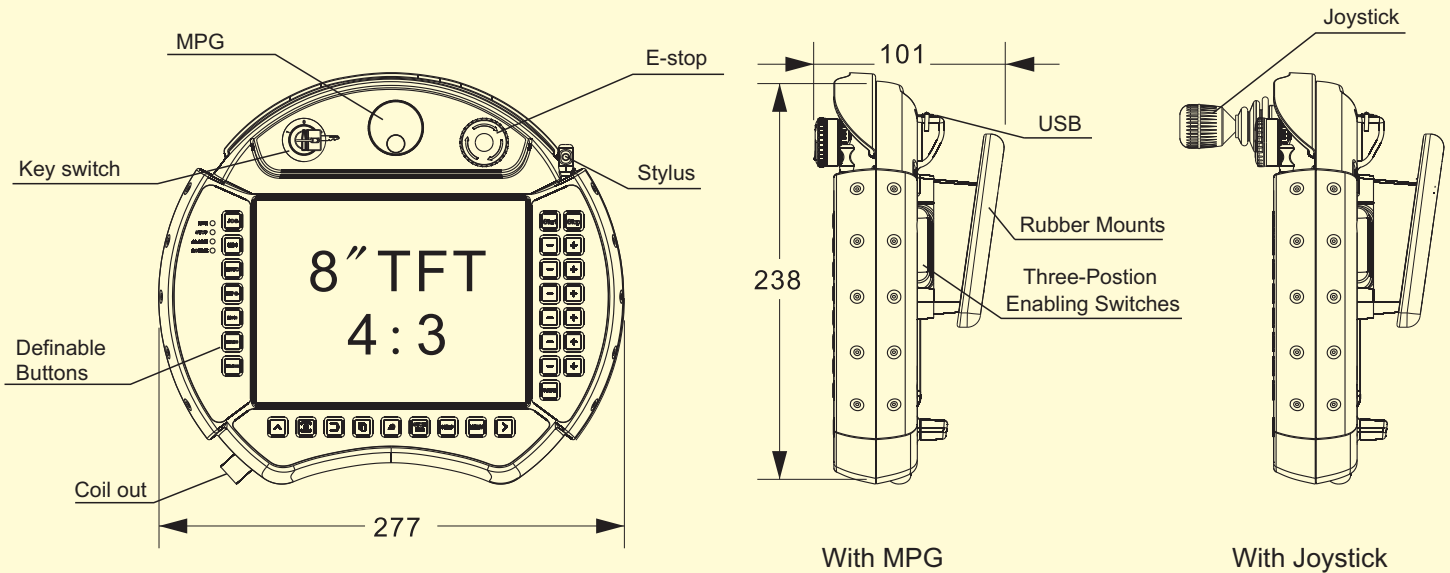
### ● Teach Pendant

#### Model.

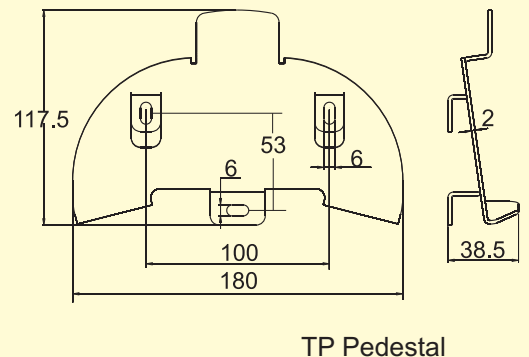
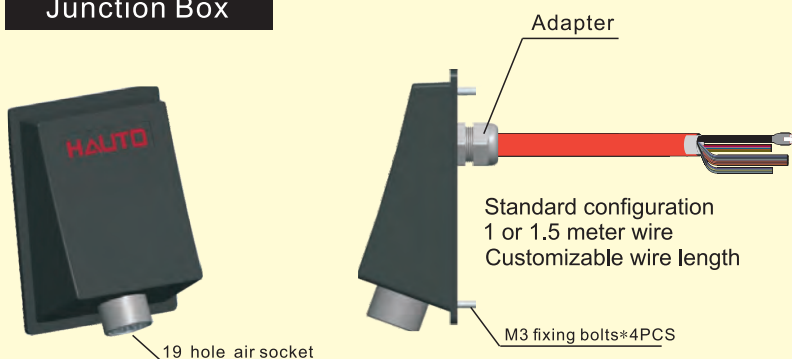
HTG - X X X X - X X X - X

System software type		MPG(Joystick) /E-Stop		Membrane key		Key switch		Communication		Line length		The safety switch		Cover color/Pedestal	
A	Android	0	NONE/INC	0	Without	0	Without	1	Ethernet	A	Wireless	0	Without	1	Black-Without Pedestal
B	LINUX QT4	1	MPG(5V)/1NC	1	With	1	Customized	2	232	B	3 meters (network)	1	One 3 position	2	Black-With Pedestal
C	WINCE7.0	2	MPG(24V)/1NC	2	Customized	2	Tow position	3	485 (422)	C	5 meters (network)	2	Two 3 position	3	Coal grey Without Pedestal
H	Configuration	4	Joystick/2NC			3	Three position	4	CAN	D	7 meters (network)	3	One 2 position	4	Coal grey-With Pedestal
L	LINUX QT5	5	NONE/2NC							E	10 meters (network)	4	Two 2 position		
V	WNC									F	15 meters (network)	5	One 3 position (enabling)		
											Can be customized	6	Two 3 position (enabling)		

#### External Dimension.

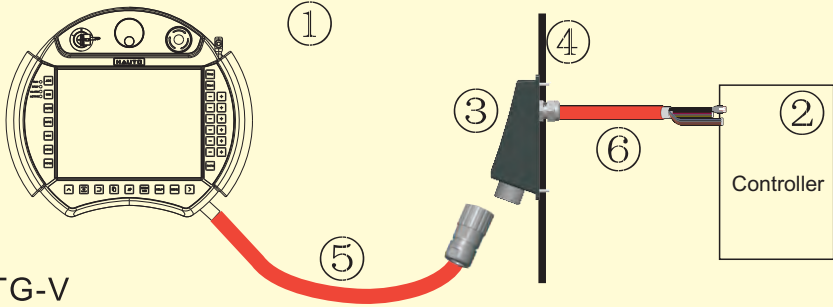


#### Junction Box



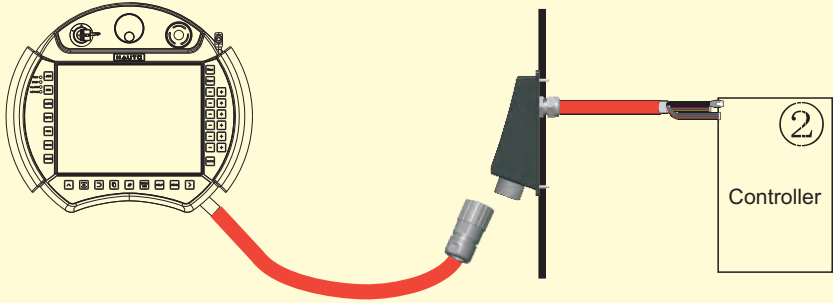
## connection

HTG-A/B/C/H/L



①	HTG
②	Controller
③	Junction Box
④	Control cabinet
⑤	Connection cable
⑥	Transmits cable

HTG-V



1. Alternative VGA display function.
2. Through the Gigabit network to achieve remote display and control, strong anti-interference ability
3. Can achieve the overall control of the machine screen and any part of the display on the teaching.
4. Remote display and control of cross platform.

## characteristics

Processor	TiAM335X32-bit RISC, Cortex-A8	800MHz	URT
Memory/Nand	512MB/Nand	512MB	
Processor	Freescale Cortex-A9	i.MX6Q	1GHz
Memory/Nand	2GB/Nand	16GB	
Micro SD card	Support extension	4G	Max16G
LCD	TFT 8inch 800 * 600 / 1024*768		
Touch	Ruggedized and 4-wire touch resistive touchscreen		
O/S	Windows CE 7.0 Core / LINUX 3.2 / Android		
USB	External USB Device	2.0 * 1	
Membrane key	key ≥ 31 (ea) pilot lamp : 4 (ea) Customizable		
Communication	RS232, RS485, CAN, Ethernet (100M/1G)		
Parts	Emergency stop key switch Enable switch (three-position) Pulse 50PPR		
Common Specification	Protection Grade : IP40~IP65		
	Case : ABS/PC, Black color / Coal gray		
	Input Voltage : DC 24V		

Lighting surge ±4KV
Group pulse ±4KV
Static contact ±6KV
Air discharge ±6KV
Pass the 1 meter drop test
Certified by CE

## Cable



RoHS	MeetRoHS	Power and signal line	Netting twine
Project		A: 2C x 24AWG / 12C x 26AWG	B: 2P x 25AWG (0.20mm <sup>2</sup> )
Cable diameter		8.0 ± 0.30mm	
Electrical performance		The mechanical and physical properties	
1. Rated temperature: 80℃ 2. Rated voltage: 30V 3. Max impedance: 95 Ω/km 4. Withstanding voltage: 0.5kV/min		Bending resistance, oil resistant, flame retardant, drag resistance	